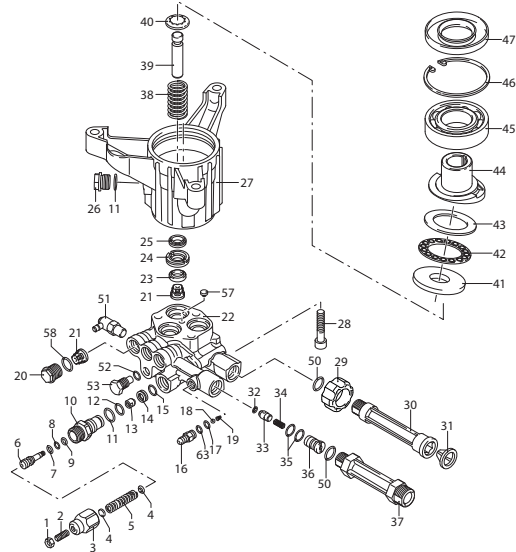


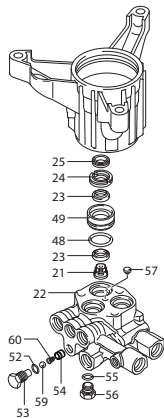
A.R. NORTH AMERICA

RMW 3400 RPM



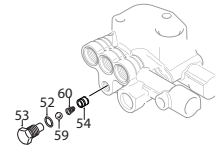
6 - 1

Dual Water Seal Pump



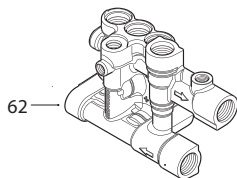
6 - 2

EZ Start



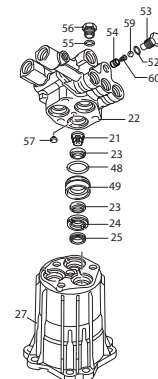
6 - 3

Complete Pump Head



6 - 4

4 Bolt SAE Flange



6 - 5

RMW 3400 RPM PARTS/KITS

Pos	Code	Description	Qty	Note
1	1060120	Unloader Nut M6	1	
2	392840	Set Screw M6x16	1	
3	2760480	Unloader Barrel	1	
4	1980220	Spring Plate	2	
5	2760410	Unloader Spring	1	
6	2841140	Unloader Piston	1	
7	2260100	O-Ring Ø 6.02x2.62	1	
8	660190	O-Ring Ø 6.07x1.78	1	
9	2760210	Fiber Ring	1	
10	2840750	Unloader Piston Guide (177 in/lbs)	1	
11	740290	O-Ring Ø 14x1.78	1	
12	820510	O-Ring Ø 10.82x1.78	1	
13	2840760	Unloader Jet (27 in/lbs)	1	
14	2840770	Unloader Seat	1	
15	1470210	O-Ring	1	
16	1982520	Hose Barb Ø 8 (35 in/lbs)	1	
	3700240	Hose Barb Ø 8 (35 in/lbs)	1	●
17	480480	O-Ring Ø 4.48x1.78	1	
18	1250280	Ball	1	
19	1560520	Spring	1	
20	2841530	Valve Cap Alum.	3	
21	2849050	Complete Valve Brass seat	6	● ○ □
	2849051	Complete Valve Plastic seat	6	■
	2841620	Blank Head	1	●
22	2840030	Blank Head	1	○
	2840870	Blank Head	1	□
	2841730	Blank Head Alum.	1	■
23	2200141	Water Seal (High & Low)	6	● ○ □
	2200141	Water Seal	3	■
	2840540	Bushing Ø 12 Brass	3	● ○
24	2840090	Bushing Brass	3	□
	2840561	Bushing Ø 12 Plastic	3	■
25	1683500	Oil Seal	3	
26	1989600	Oil Plug 3/8" G Brass, w/O-ring, (71 in/lbs)	1	
27	2840520	Pump Body	1	●
	2840010	Pump Body	1	■ □
28	800220	Head Bolt M8x45, (221 in/lbs)	3	● ○
	380410	Head Bolt M8x40, (221 in/lbs)	3	■ □
29	2841220	Inlet Fitting 3/4" NH Plastic	1	
30	2840250	Inlet Extension (221 in/lbs)	1	
31	7369	Filter	1	
32	1460431	O-Ring Ø 4x2.5	1	
33	3700220	Jet	1	
34	1080091	Spring	1	
35	800560	O-Ring Ø 8.73x1.78	2	
36	3709607	Shutter w/O-Rings	1	
37	2840260	Outlet Extension (221 in/lbs)	1	
38	2840060	Spring	3	
39	2840040	Piston Ø 12	3	■ □
	2840530	Piston Ø 12	3	● ○
40	2840050	Piston Lock	3	
41	1980130	Thrust Washer	1	
42	1980250	Bearing	1	
43	1980240	Thrust Washer	1	
44	2840690	Wobble Plate 5 ID Stamp 12°	1	□ ■
	2840800	Wobble Plate 1 ID Stamp 14°	1	● ○

Pos	Code	Description	Qty	Note
45	161060	Rear Bearing	1	
46	161050	Retainer Ring Øi 72	1	
47	2840310	Shaft Oil Seal	1	
48	770590	O-Ring Ø 21.95x1.78	3	
49	2840550	Piston Guide Ø 12	3	
50	2840890	O-Ring Ø 14x2	2	
51	TPP140-1/4A	Thermal Relief Valve	1	
52	600180	O-Ring Ø 7.66x1.78	1	
53	2840830	EZ Start Screw (89 in/lbs)	1	
54	2840441	Seat Steel	1	
55	480650	Washer	1	
56	2840840	EZ Start Plug (36 in/lbs)	1	
57	3400650	Plug Only on Dual water seal heads	1	
58	2841520	O-Ring Ø 13.5x1.8	3	
59	1060100	Ball	1	
60	2840450	Spring	1	
62	46377	Complete Pump Head Brass	1	●
	43061	Complete Pump Head Alum.	1	■
63	3700250	O-Ring Ø 8x1.1	1	

AR64545 Oil - Capacity 2.2 oz, QTY 1
 Prefilled with Oil from the Factory.
 The Oil in the pump is good for the life of the of the pump. Oil does not need to be changed.
 Tightening torque (Tolerance + 0 ÷ -10%)

OPTIONAL PARTS/KITS				
Pos	Code	Description	Qty	Note
29	2840270	Inlet Fitting 3/4" NH Brass	1	
30	2840251	Inlet Extension Anodized, (221 in/lbs)	1	
33	3709605	Jet w/O-Ring	1	
37	2840261	Outlet Extension Anodized, (221 in/lbs)	1	
61	2840440	EZ Start Seat Brass	1	
	42141	EZ Start Plug Kit	1	Pos 55, 56
	42142	EZ Start Kit	1	Pos 52, 53, 54, 59, 60
	2237	O-Rings Kit □ ■	1	Pos 7, 8, 11, 12, 15, 17, 32, 35, 50, 52, 58
	42433	O-Rings Kit ○ ●	1	Pos 7, 8, 11, 12, 15, 17, 32, 35, 48, 50, 52, 57, 58
	42725	Hose Barb Kit	1	Pos 16, 17, 18, 19, 63
	42866	Shutter Kit	1	Pos 32, 33, 34, 35, 36
	42165	Water Inlet Kit	1	Pos 29, 30, 31, 50
	42166	Discharge Kit	1	Pos 37, 50
	42125	Chemical Injector Kit w/o Hose Barb	1	Pos 17, 18, 19

LEGEND			
Symbol	Material	Description	
○	Brass	RMW25G26* (4 Bolt SAE flange)	Ø 12
●	Brass	RMW25G28* (4 Bolt SAE flange), RMW25G28-EZ*	Ø 12
□	Brass	RMW2G25*	Ø 12
■	Alum.	RMW2G20, RMW2G24-EZ	Ø 12

* Dual Water Seal pumps

Valve Kit 42123 ○ ● □ Kit 2233 ■	
Pos.	Qty
21	6

Piston Kit 42161 ○ ● Kit 2234 □ ■	
Pos.	Qty
39	3

Unloader Kit 42118	
Pos.	Qty
1	1
2	1
3	1
4	2
5	1
6	1
7	1
8	1
9	1
10	1
11	1
12	1
13	1
14	1
15	1

Water Seal Kit 42122 ■	
Pos.	Qty
22	3

Water Seal Kit 2235 ○ ● □	
Pos.	Qty
22	6

Oil Seal Kit 2236	
Pos.	Qty
25	3
47	1

COUNTRY OF ORIGIN: CHINA
 LAST UPDATED: APRIL 2023